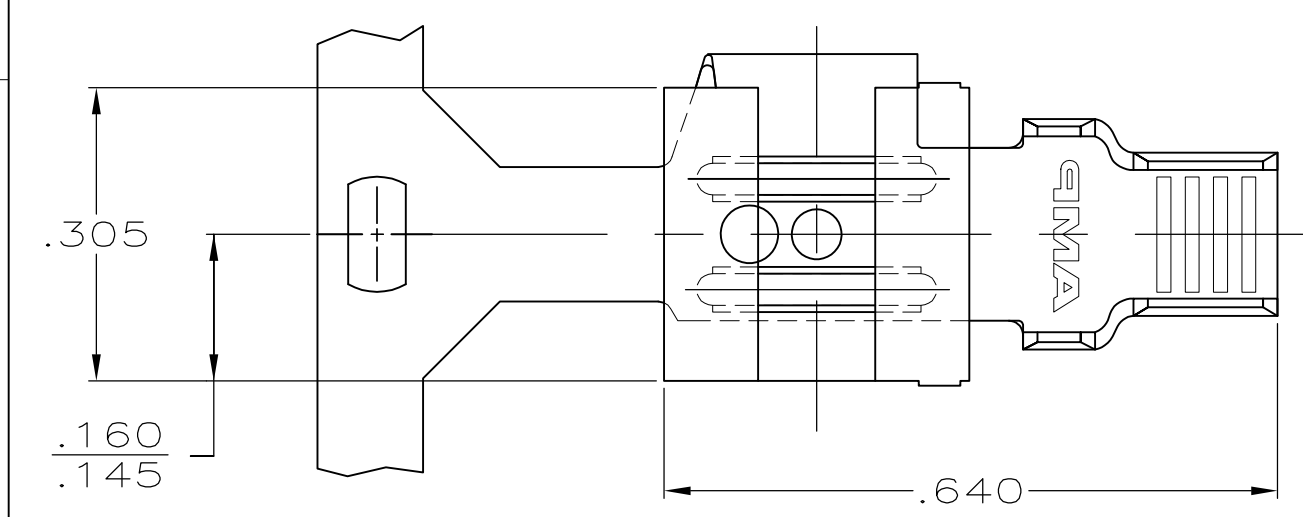
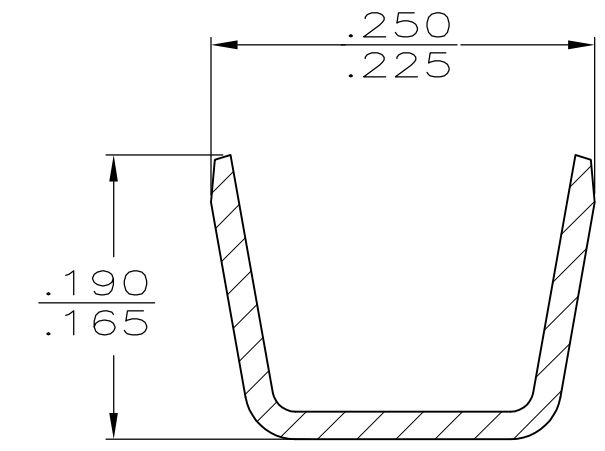
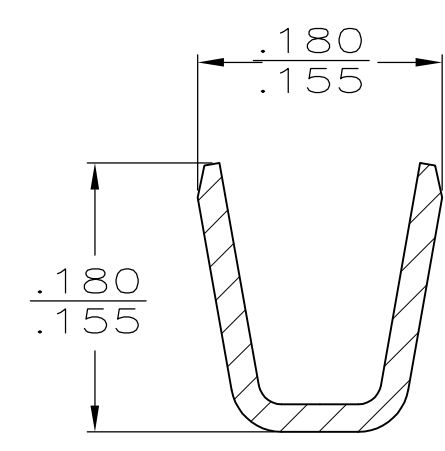
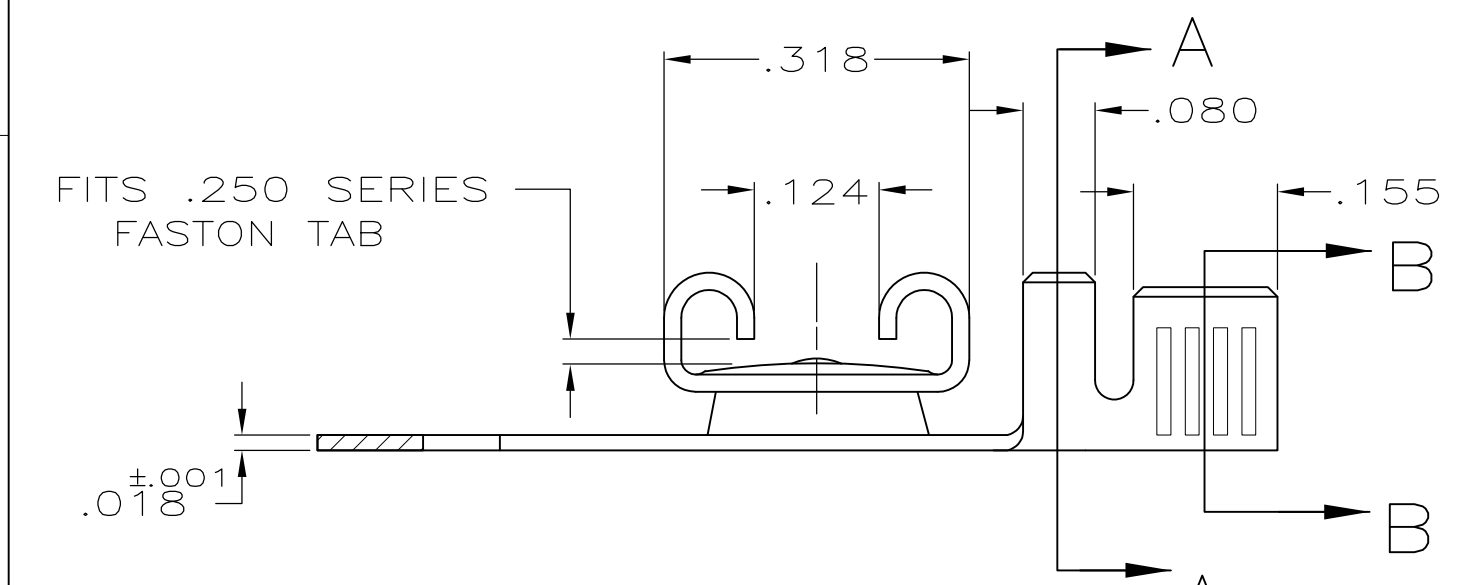


THIS DRAWING IS UNPUBLISHED. RELEASED FOR PUBLICATION
 © COPYRIGHT - By - ALL RIGHTS RESERVED.

| | | | | | |
|-----------|------------|---------------------------|---------|-----|------|
| LOC AF | DIST 50 | REVISIONS | | | |
| P | LTR | DESCRIPTION | DATE | DWN | APVD |
| | P | REVISED PER ECR-11-018063 | 22DEC11 | KH | PD |



1 CONTINUOUS STRIP ON REELS.



| | | | | | | |
|----------------------|--------------|-------|-----------------|--------------------|----------------------|--------------------|
| OBSOLETE OBSOLETE | .130 TO .170 | 16-12 | TIN .000080 MIN | T4 BRASS | .032 | 61188-3 |
| | INSUL RANGE | | WIRE SIZE | SILVER .000150 MIN | | T3 PHOS BRZ |
| | | | TIN | T3 PHOS BRZ | | 61188-1 |
| | | | FINISH | MATERIAL | MATING TAB THK ±.001 | PART NO |

| | | | | | | | |
|--|---------------------|-----------------------------|--|--------------------|-----------------------|--------------------|--------------|
| THIS DRAWING IS A CONTROLLED DOCUMENT. | | DWN JR RUTH 3/22/90 | TE Connectivity RECEPTACLE, FASTON™ FLAG, REVERSIBLE, .250 SERIES | | | | |
| DIMENSIONS: INCHES | | CHK MS FEHER 3/22/90 | | | | | NAME |
| TOLERANCES UNLESS OTHERWISE SPECIFIED: | | APVD C MEYERS 3/22/90 | | | | | PRODUCT SPEC |
| 0 PLC ± - 1 PLC ± - 2 PLC ± - 3 PLC ± .010 4 PLC ± - ANGLES ± - | | APPLICATION SPEC | | | | | 114-2032 |
| MATERIAL SEE TABLE | FINISH SEE TABLE | WEIGHT - | SIZE A3 | CAGE CODE 00779 | DRAWING NO C-61188 | RESTRICTED TO - | |
| CUSTOMER DRAWING | | | SCALE 5:1 | SHEET 1 OF 1 | REV P | | |